

4-Channel LED Dimmer DALI

Art.-No.: 0625480001

Features

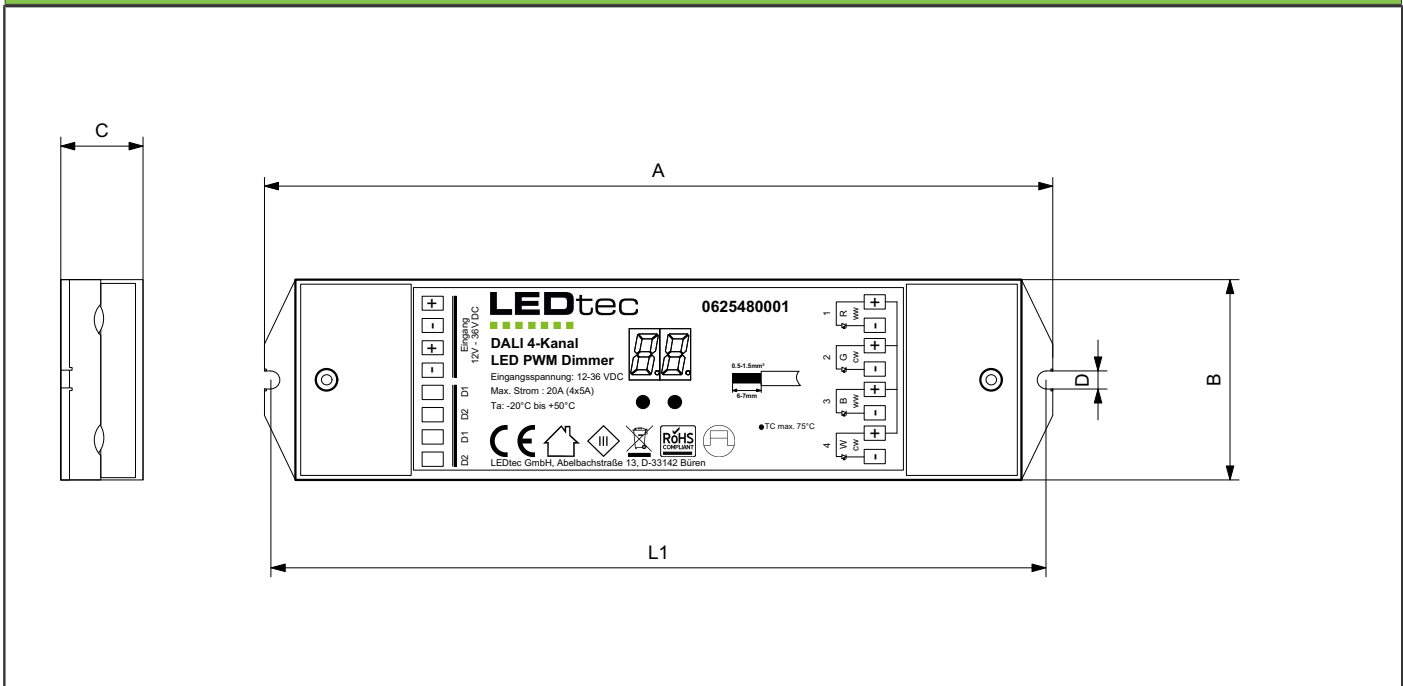
- wide input voltage range 12-36 V DC
- over current protection and short circuit protection
- flicker free
- screw clamp



Mechanical features

Connection (Input)		screw terminal with strain relief
Connection (Output)		screw terminal with strain relief
Length	A	178 mm
Width	B	45 mm
Height	C	18 mm
Weight		108 g
Distance mounting hole 1	L1	170 mm
Diameter mounting hole	D	4.3 mm

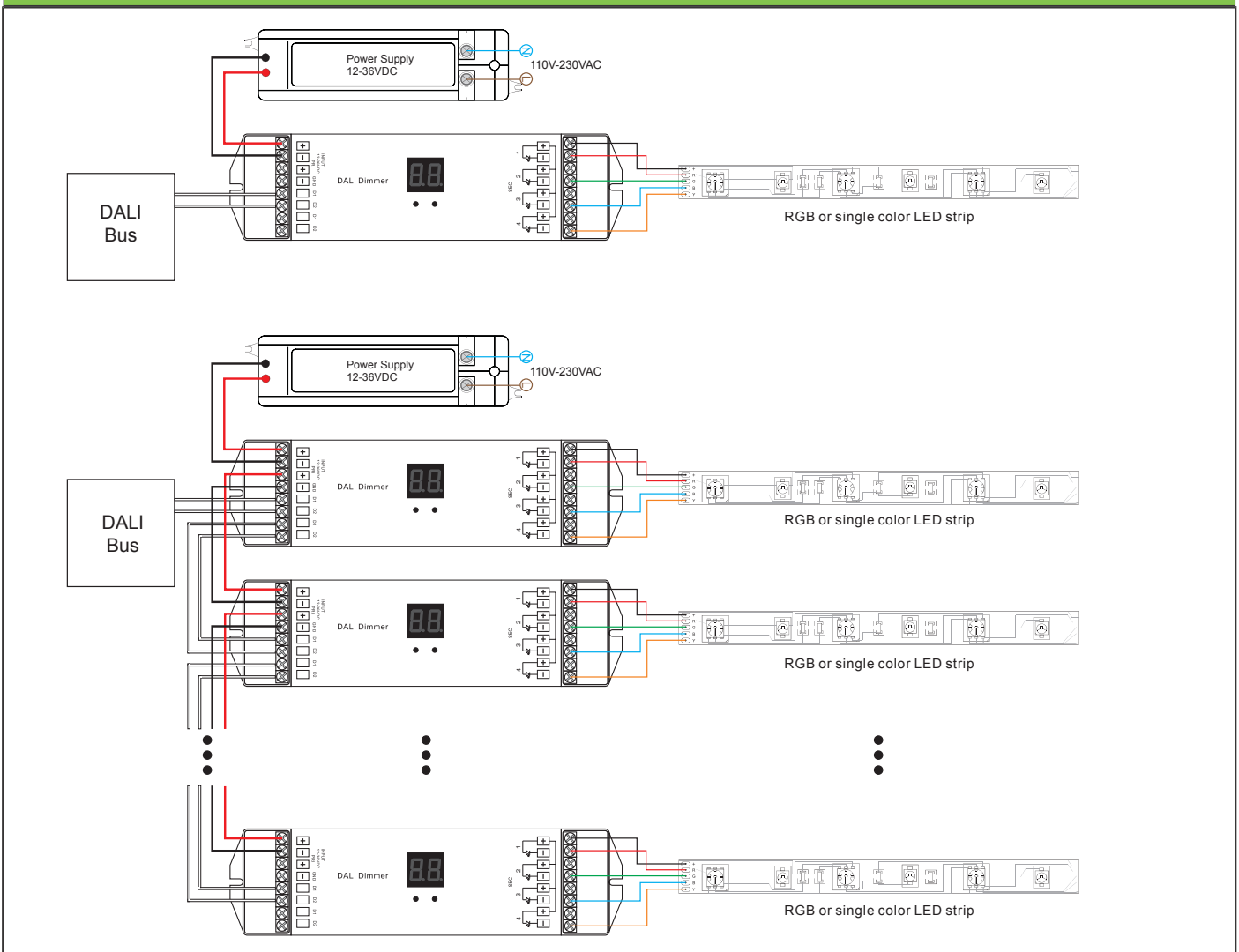
Dimension



Technical features

Input voltage	12 - 36 V DC
Max. current	20.0 A
Max. power	720 W
Output voltage	12 - 36 V DC
Max. output current per channel	5.0 A
Max. controllable power	720 W
PWM Frequenz	500 Hz
Steuersignale	DALI - IEC62386
Control circuits	4
Dimming method	PWM
Dimming range	0 - 100 %
Short circuit protection	Yes
Over current protection	Yes

Connection diagram



Environmental conditions

Ambient temperature range (Ta)	-20 up to max. 50 °C
Humidity	10 - 90%
Storage temperature (Ts)	-30 up to max. 60 °C