



Art.-No.: 0440240624

FEATURES

- Rated output voltage: 24 V DC
- Nominal Power: 60 W
- Height: 28,2 mm
- Protection against short-circuit, over load, overheating



LED Power supply cv 24V/2,5A/60W

ELECTRICAL FEATURES

Rated Output voltage	24 V DC
Rated power	60 W
Rated current	2,5 A
Output Voltage tolerance	+/-5%
Setup time	< 500 ms
Rated Input voltage	200 - 240 V AC
mains frequency	50/60 Hz
Power factor	0,9
Standby cons.	0,2 W
Efficiency	87,00 %

ELECTRICAL FEATURES

Input current	2,50 A
Input protection Description	The power supply shall be protected against power line surges and any abnormal condition.
Inrush current	75 A max.
Short circuit protection	Recovers automatically after fault condition is removed.
Harmonic current	EN61000-3-2 Class C, EN61000-3-3

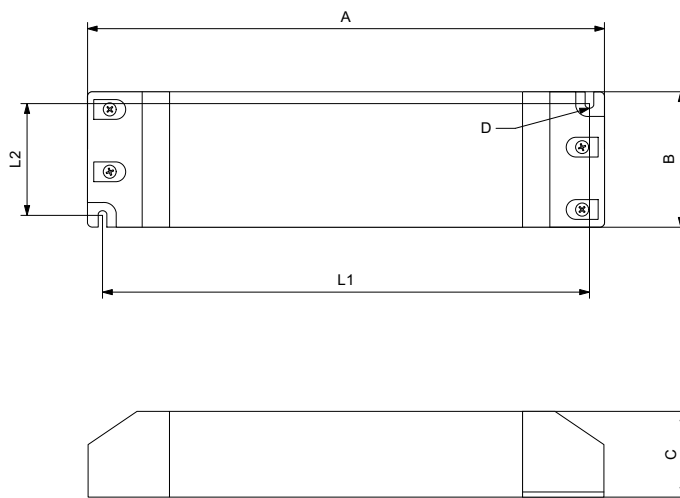
MECHANICAL FEATURES

Max. cable cross section (output)	H03VVH2-F 2X0.75mm ² or SPT-2 18AWG wire; Maximum length 2m	
Max. cable cross section (input)	H03VVH2-F 2X0.75mm ² or SPT-2 18AWG wire	
Length	A	170 mm
Width	B	44,5 mm

MECHANICAL FEATURES

Height	C	28,2 mm
Distance mounting hole 1	L1	160,4 mm
Distance mounting hole 2	L2	40,5 mm
Diameter mounting hole	D	3,2 mm

DRAWING



ENVIRONMENTAL CONDITIONS

EMC Standards	EN55015
EMS immunity	EN61547
Safety standards	IEC61347-1, IEC61347-2-13
Related humidity	45 % - 85 %

ENVIRONMENTAL CONDITIONS

Storage temperature range (Ts)	-20 °C - 85 °C
Ambient temperature range (Ta)	-20 °C - 45 °C
Housing temperature (Tc)	max. 90 °C

Status: 27.01.2023

The technical data was correct at time of printing and is subject to change without prior notice or warning.