

## LED Power supply CV 12V/1,25A/15W

**Art.-No.: 0440240013**

### Features

- 12 V DC
- 15 W
- Height: 19.5 mm
- Protection against short-circuit, over voltage, overheating
- complies to EN61347-2-13



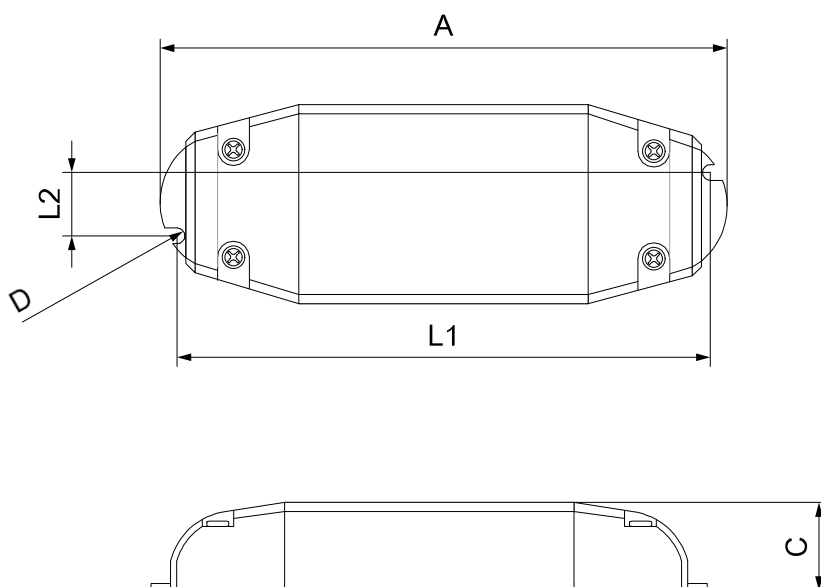
### Electrical features

Output voltage (nom.)	12 V DC
Rated power	15 W
Rated current	1.3 A
Voltage tolerance	+/-5%
Setup time	< 2 s
Input voltage	200 - 240 V AC
mains frequency	50/60 Hz
Power factor	0.9
Standby cons.	0.5 W
Efficiency	0.75
Input current	0.25 A
Input protection	1 A
Input protection Description	The power supply shall be protected against power line surges and any abnormal condition.
Inrush current	40 A max.
leakage current	< 5 mA
Over current protection	110% max. recovers automatically after fault condition is removed.
Short circuit protection	Recovers automatically after fault condition is removed.
Withstand voltage	I/P-O/P: 3.75KVAC
Isolation resistance	I/P-O/P: >100M Ohms/500VDC @ 25%/70% RH
Harmonic current	EN61000-3-2 Class C, EN61000-3-3

## Mechanical features

Max. cable cross section (output)		H03VVH2-F 2X0.75mm <sup>2</sup> or SPT-2 18AWG wire; Maximum length 2m
Max. cable cross section (input)		H03VVH2-F 2X0.75mm <sup>2</sup> or SPT-2 18AWG wire
Length	A	122.8 mm
Width	B	44.5 mm
Height	C	19.5 mm
Distance mounting hole 1	L1	115.5 mm
Distance mounting hole 2	L2	14 mm
Diameter mounting hole	D	3.5 mm
Weight		68 g

## Drawing



## Environmental conditions

EMC Standards	EN55015
EMS immunity	EN61547
Safety standards	IEC61347-1, IEC61347-2-13
Performance Temperature range (Tp)	-20 °C - 45 °C
Related humidity	45 % - 85 %
Storage temperature range (Ts)	-20 °C - 85 °C
Ambient temperature range (Ta)	-20 °C - 45 °C
Housing temperature (Tc)	max. 80 °C