

LED Power supply CV 12V/6,2A/75W

Art.-No.: 0440240009

Features

- 12 V DC
- 75 W
- Height: 30 mm
- Protection against short-circuit, over voltage, overheating
- complies to EN61347-2-13



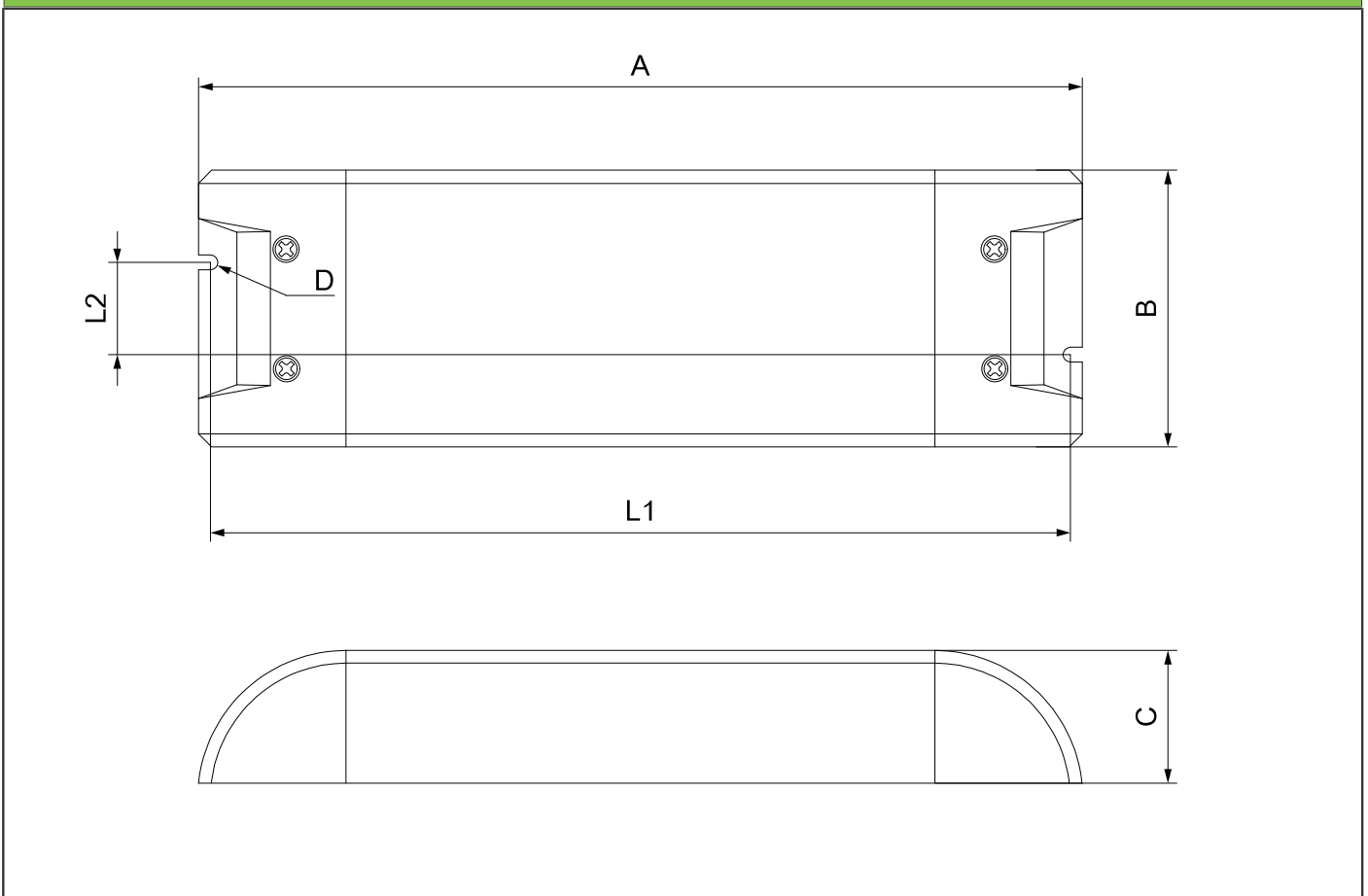
Electrical features

Output voltage (nom.)	12 V DC
Rated power	75 W
Rated current	6.3 A
Voltage tolerance	+/-5%
Setup time	< 2 s
Input voltage	200 - 240 V AC
Frequency range	50 Hz
Powerfactor	> 90
Standby cons.	0.5 W
Efficiency	0.85
Input current	0.38 A
Input protection	1 A
Input protection Description	The power supply shall be protected against power line surges and any abnormal condition.
Inrush current	75 A max.
leakage current	< 5 mA
Over current protection	110% max. recovers automatically after fault condition is removed.
Short circuit protection	Recovers automatically after fault condition is removed.
Withstand voltage	I/P-O/P: 3.75KVAC
Isolation resistance	I/P-O/P: >100M Ohms/500VDC @ 25%/70% RH
Harmonic current	EN61000-3-2 Class C, EN61000-3-3

Mechanical features

Max. cable cross section (output)		H03VVH2-F 2X0.75mm ² or SPT-2 18AWG wire; Maximum length 2m
Max. cable cross section (input)		H03VVH2-F 2X0.75mm ² or SPT-2 18AWG wire
Length	A	201 mm
Width	B	63 mm
Height	C	30 mm
Distance mounting hole 1	L1	195.6 mm
Distance mounting hole 2	L2	20.5 mm
Diameter mounting hole	D	3.4 mm
Weight		315 g

Drawing



Environmental conditions

EMC Standards	EN55015
EMS immunity	EN61547
Safety standards	IEC61347-1, IEC61347-2-13
Performance Temperature range (Tp)	-20 °C - 45 °C
Related humidity	45 % - 85 %
Storage temperature range (Ts)	-20 °C - 85 °C
Ambient temperature range (Ta)	-20 °C - 45 °C
Housing temperature (Tc)	max. 80 °C